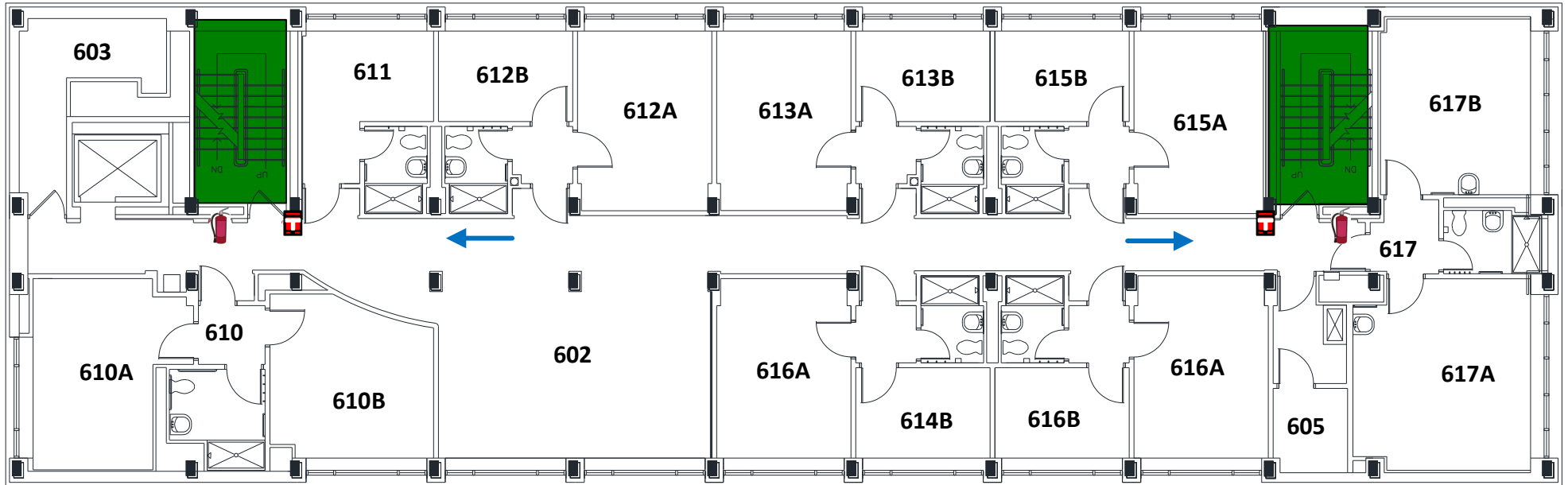


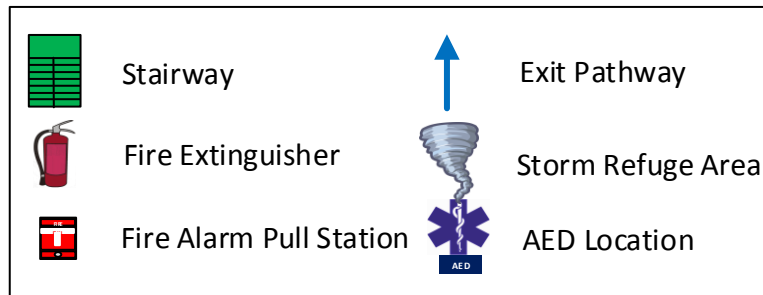
EMERGENCY EVACUATION ROUTE

Building Code: 937
 Building Name: Polk Street Residence Hall
 Floor Name: Sixth Floor
 Building Address: 1933 W Polk Street



**Evacuation
 Assembly
 Area:**

The sidewalk located on the north side of Polk Street which is located north of the Polk Street Residence Hall building.



**OFFICE OF
 THE VICE
 CHANCELLOR
 FOR
 ADMINISTRATIVE
 SERVICES**

