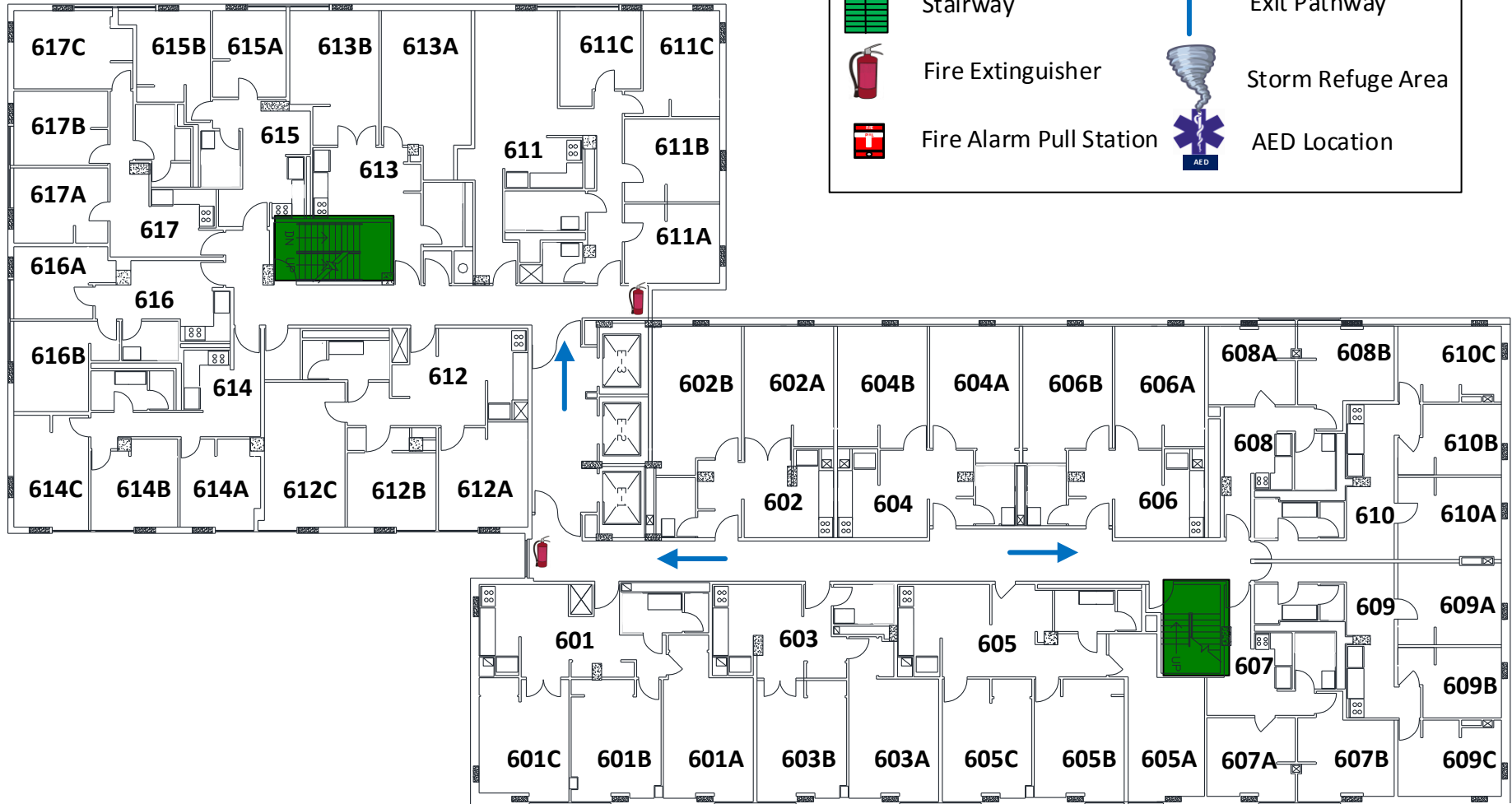


EMERGENCY EVACUATION ROUTE

Building Code: 951
 Building Name: Single Student Residence
 Floor Name: Sixth Floor
 Building Address: 809 S Damen Ave



The “north/south” sidewalk located “west” of the Single Student Residence building and on the “west” side of the main driveway that runs in front of the building.